

Let YOUR
CREATIVITY
OUT

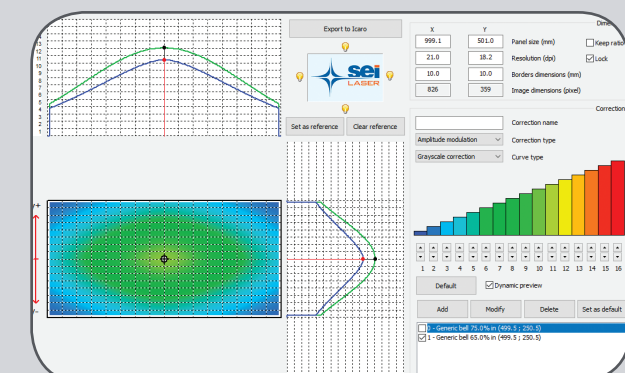
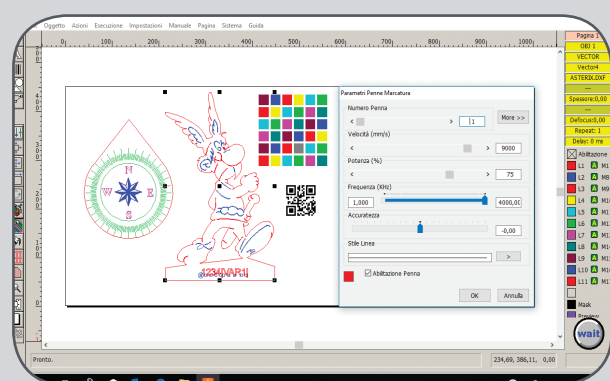
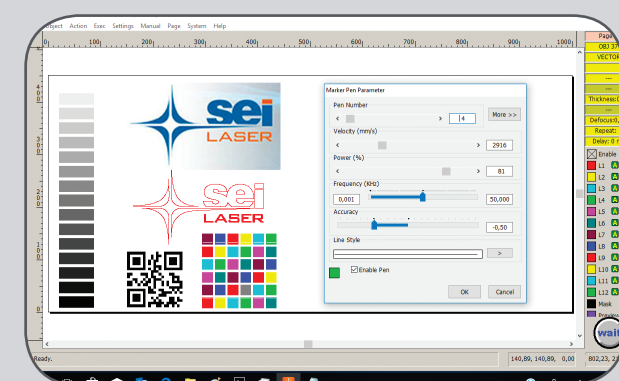
ICARO SOFTWARE

Our proprietary Icaro software is very intuitive and user-friendly. The easy import of the files, both raster graphics and vectorial images (BMP, JPEG, PDF, EPS, DXF, PLT,...) and the easy setting of the laser parameters make Icaro the innovative multifunction software interface made 100% SEI Laser.

- CCD camera for registry laser processing and for the automatic upload of the files thanks to single/multi printing markers and 1D/2D barcode readers
- "Marking on the fly" option
- "Bravo" option for the automatic job design and the automatic laser system programming: possibility of processing materials of different sizes or wider than the working area
- BLU software for LED LGP backlighting: specifically developed for dots-etching/engraving in order to guarantee the maximum uniformity of light distribution over the entire surface of the PMMA plate
- Effective system and laser diagnostics: easy remote assistance operations

Every SEI Laser system can be integrated into automated digital control production processes and it is in compliance with the Industry 4.0 certification.

Icaro Software



Icaro BLU

Icaro CCD Camera

FLEXIBILITY FOR DIFFERENT MARKETS

FLEXI 8xx/12xx LINE

SEI S.p.A.
Via R. Ruffilli, 1
24035 Curno (BG) - Italy
T. +39 035 4376016
F. +39 035 463843
info@seilaser.com
www.seilaser.com

SEI Laser Systems (Hangzhou) Co. Ltd.
Hangzhou Hi-Tech Park,
Bin Jiang District, Bin An Road
#1193, Post Code 310052
Hangzhou - China
T. +86 571 8777 4111
F. +86 571 8777 444

SEI Deutschland GmbH
Moosweg 9
D-82386 Huglfing - Germany
T. +49 8802 913600
F. +49 8802 9136066
info@seigmbh.de
www.seilaser.de

SEI Laser Converting
Via Praz dai Trois, 16
33030 Buja (UD) - Italy
T. +39 0432 1715827
F. +39 0432 1715828
info@seiconverting.it
www.seilaser.com

SEI Laser France
12 Quai du commerce
69009 Lyon - France
T. +33 4 26 10 08 23
france@seilaser.com
www.seilaser.com



THE LASER SYSTEM THAT SATISFIES ANY CUTTING OR MARKING APPLICATIONS

FLEXI 8xx/12xx LINE

SEI Laser, the leading Italian manufacturer of industrial laser systems, introduces Flexi 8xx Line and Flexi 12xx Line, the innovative and flexible ranges of laser systems specifically designed to meet all customer's needs thanks to the different tables and laser configurations.

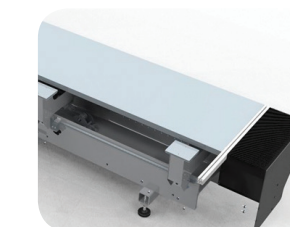
Processes: cutting, marking, engraving and perforation

Processable materials: paper, card, leather, faux leather, hide, natural and technical textiles, denim, rubber, wood, acrylic, acetates and organic materials, plastic sheets and films

Sectors: Graphic Arts, LED LGP backlighting (lighting, TV monitor, visual communication), footwear, leather, textile, clothing, furnishing, interior design, guns (wood), glasses, job shop, automotive

- Modular structure in electrowelded steel which guarantees stability, process repeatability and maximum precision
- Device for dynamic control of focal point "Dynamic Beam Expander" directly by software, for high performance
- Grid vacuum table to ensure efficient extraction of fumes and production waste; it also guarantees the stability of the material to be processed
- Linear optical encoders (evolved kinematics) to ensure precision, superior quality and high performance of marking on the fly
- CCD camera
- Class 1 for the safety of the operator and work environment
- It can be perfectly integrated into any production environment
- 100% SEI Laser design and manufacture: guaranty of stability and repeatability

To guarantee stability, process repeatability and maximum precision:



X axis technical plus:

- Electro soldered extremely rigid steel frame
- Handling of high-precision guides with optical line
- Designed for aluminium vacuum table for marking
- Designed for grid vacuum table (optional) for cutting and marking

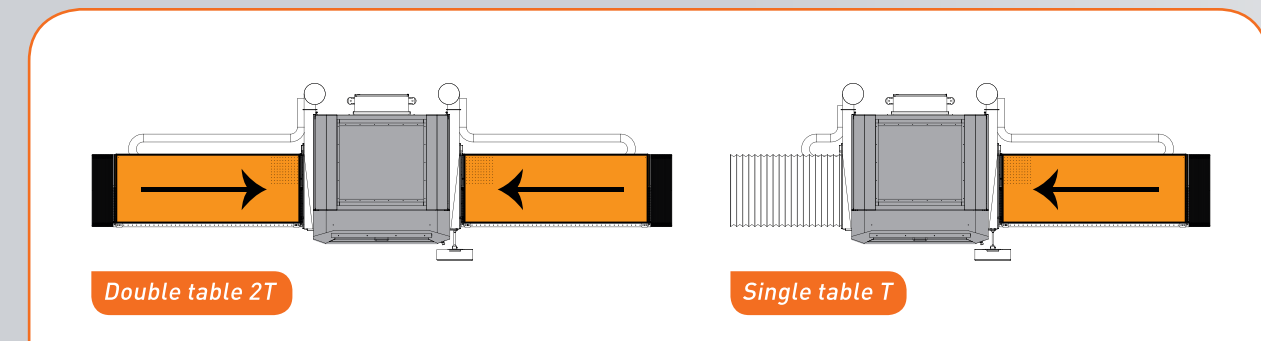


Z axis technical plus:

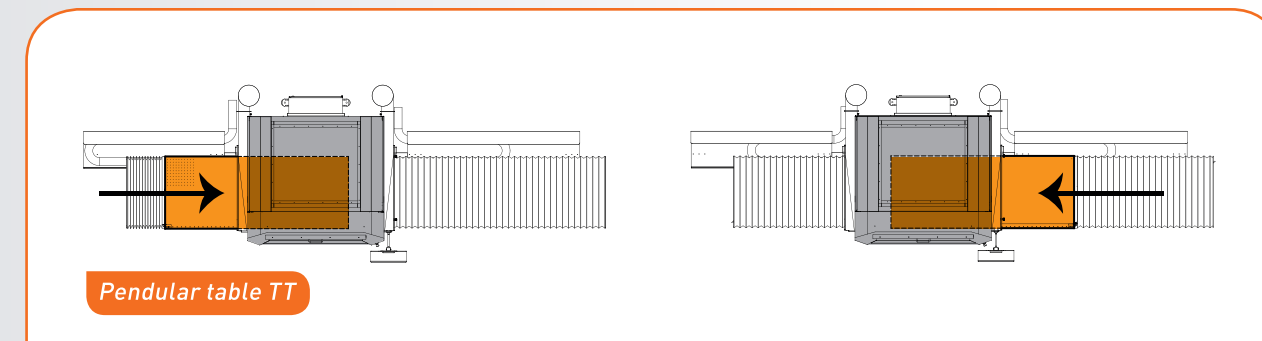
Designed for: Giotto Hi30/Hi50/I-Scan v150
Giotto Hi30/Hi50/I-Scan v300
Giotto Hi30/Hi50/I-Scan v500

- Electro soldered steel frame
- Pre arranged for all table sizes
- Pre arranged for high efficiency fumes suction system

Working mode **Stop & Go**

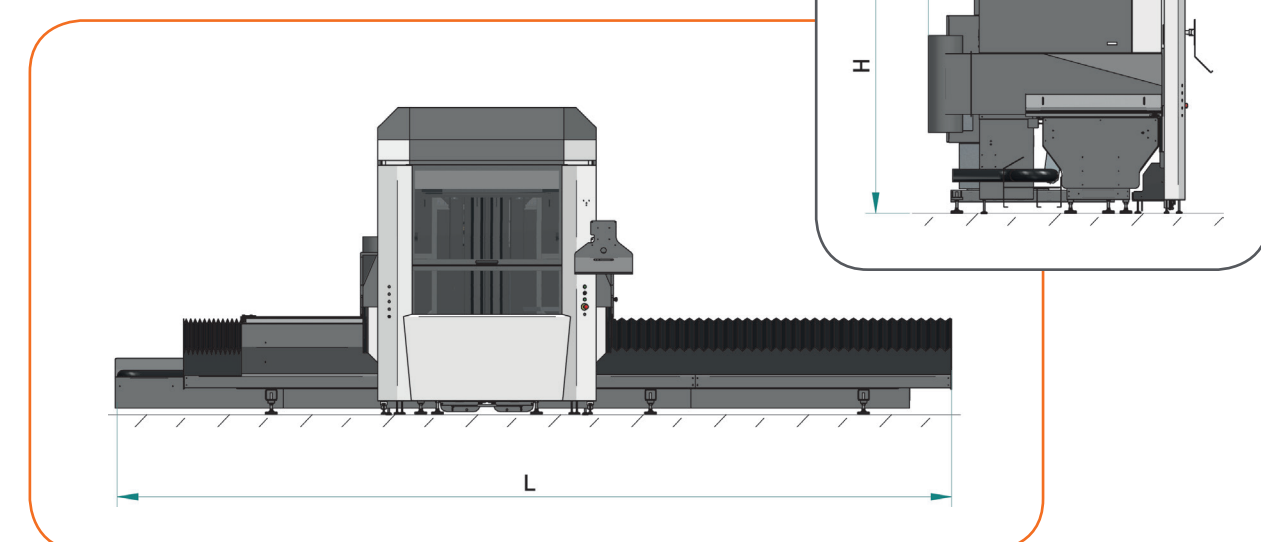


Working mode **Pendular**



816 T - 1224 T

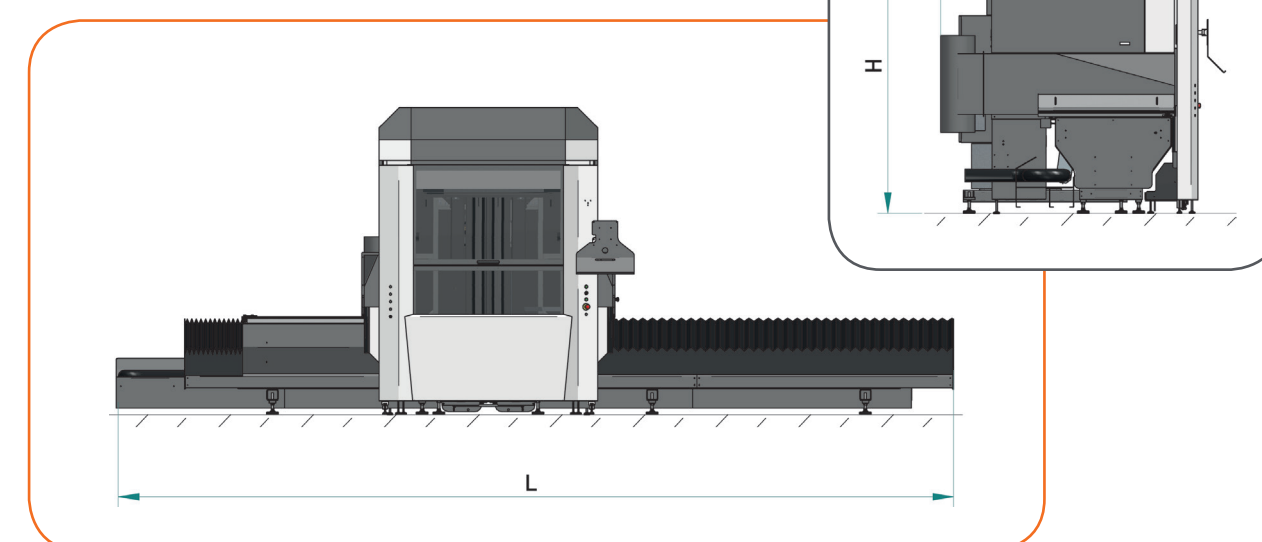
816 T - 1224 T
Working mode: **Stop & Go** Single table



	816 T			1224 T		
Version	v150	v300	v500	v150	v300	v500
Power	>150W	>300W	>500W	>150W	>300W	>500W
L (mm)	5000			7300		
W (mm)	2230			2630		
H (mm)	2670			3170		
Scan head	Hi50 / iScan			Hi50 / iScan		
Min working area	350x350 (Hi50) - 500x500 (iScan)			500x500		
Spot size	0,22			0,32 (Hi50)-0,22 (iScan)		
Max working area	800x1600			1200x2400		
Spot size	0,51 (Hi50) - 0,38 (iScan)			0,75 (Hi50) - 0,55 (iScan)		

808 TT

808 TT - CONTINUOUS CYCLE
Working mode: **Pendular**

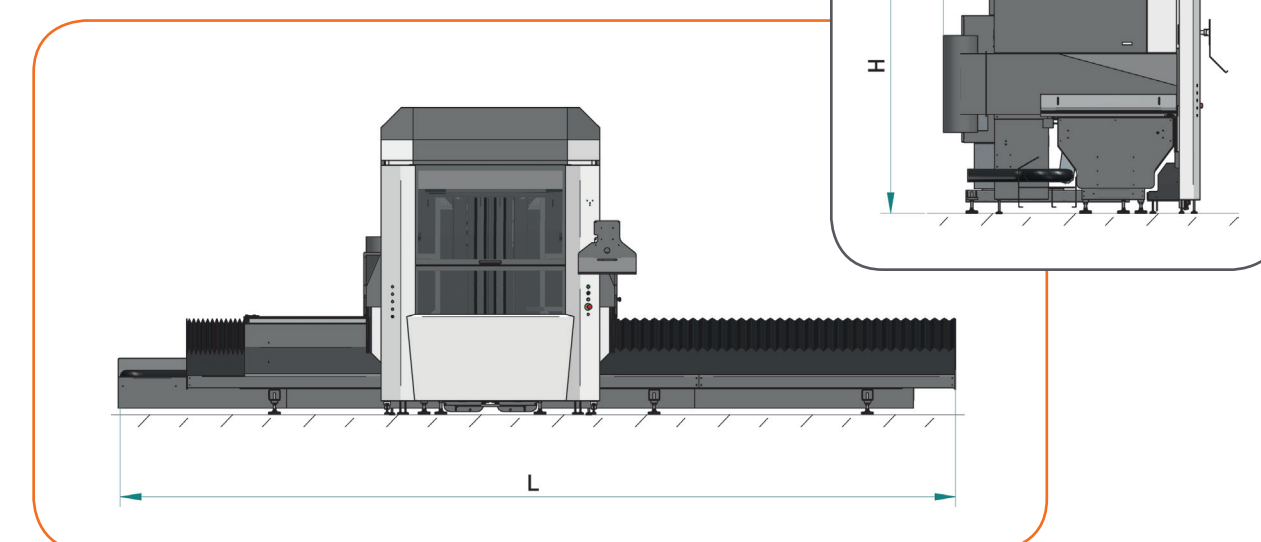


	808 TT		
Version	v150	v300	v500
Power	>150W	>300W	>500W
L (mm)	5700		
W (mm)	2230		
H (mm)	2670		
Scan head	Hi50 / iScan		
Min working area	350x350 (Hi50) - 500x500 (iScan)		
Spot size	0,22		
Max working area	800x800		
Spot size	0,51 (Hi50) - 0,38 (iScan)		

824 T/TT - 1230 T/TT

824 T - 1230 T
Working mode: **Stop & Go** Single table

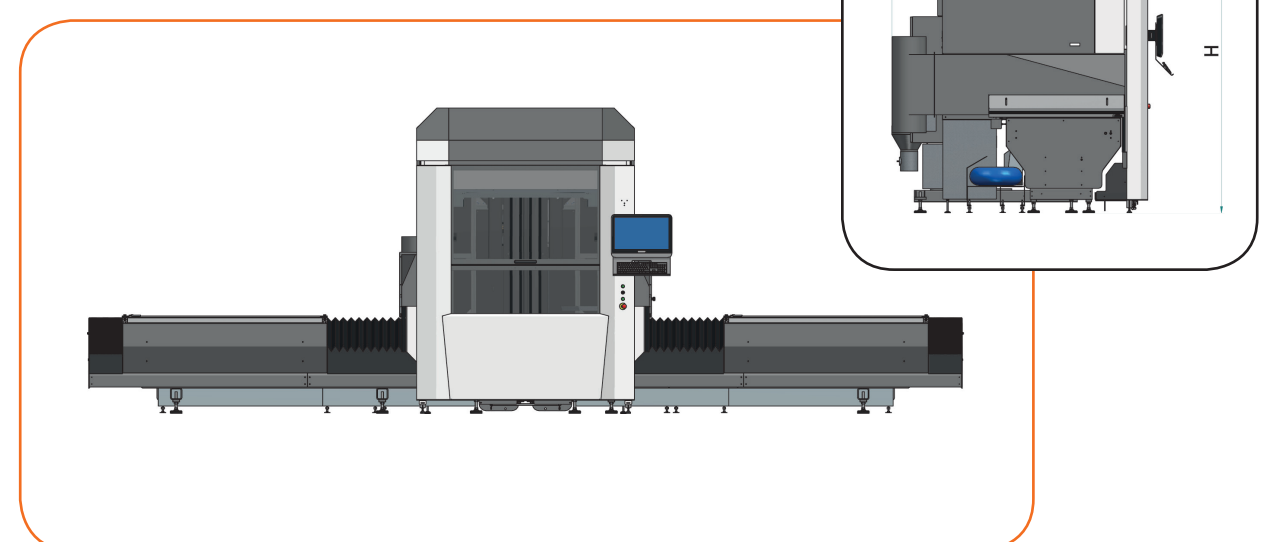
824 TT - 1230 TT - CONTINUOUS CYCLE
Working mode: **Pendular**



	824 T*/TT**			1230 T*/TT**		
Version	v150	v300	v500	v150	v300	v500
Power	>150W	>300W	>500W	>150W	>300W	>500W
L (mm)	7300			7630		
W (mm)	2230			2630		
H (mm)	2670			3170		
* Scan head	Hi50 / iScan			Hi50 / iScan		
Min working area	350x350 (Hi50) - 500x500 (iScan)			500x500		
Spot size	0,22			0,32 (Hi50)-0,22 (iScan)		
Max working area	800x2400			1200x3000		
Spot size	0,51 (Hi50) - 0,38 (iScan)			0,75 (Hi50) - 0,55 (iScan)		
** Scan head	Hi50 / iScan			Hi50 / iScan		
Min working area	350x350 (Hi50) - 500x500 (iScan)			500x500		
Spot size	0,22			0,32 (Hi50)-0,22 (iScan)		
Max working area	800x800			1200x1200		
Spot size	0,51 (Hi50) - 0,38 (iScan)			0,75 (Hi50) - 0,55 (iScan)		

816 2T - 1216 2T

816 2T - 1216 2T
Working mode: **Stop & Go** Double table



	816 2T			1216 2T		
Version	v150	v300	v500	v150	v300	v500
Power	>150W	>300W	>500W	>150W	>300W	>500W
L (mm)	7628			7628		
W (mm)	2230			2630		
H (mm)	2670			3170		
Scan head	Hi50 / iScan			Hi50 / iScan		
Min working area	350x350 (Hi50) - 500x500 (iScan)			500x500		
Spot size	0,22			0,32 (Hi50)-0,22 (iScan)		
Max working area	800x1600			1200x1600		
Spot size	0,51 (Hi50) - 0,38 (iScan)			0,75 (Hi50) - 0,55 (iScan)		