



DRAGON

The compact and fast flatbed plotter CO₂ laser system for small format cutting.

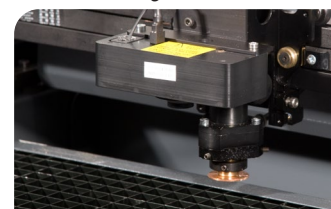
- **Dragon** is the flatbed laser system developed from SEI Laser for small format sheet cutting.
- **Dragon** is the professional laser system for CO₂ laser cutting with a maximum work area of 700x500 mm that can process all the materials: acrylic (PMMA), ABS, plastic, PET, PP, BOPP, paper, cardboard, leather, textiles, glass, marble, wood, acetates, adhesive foils, composite materials.
- **Dragon** is a compact, innovative and advanced CO₂ laser system that enables high flexibility and high performances: up to 2000 mm/s speed with 2 g acceleration.
- It exploits an X-Y axis movement system that uses micro-brushless motors and belt movement. Sheet materials bigger than the working area (Y axis) can be processed.
- **Dragon** is equipped with a CCD camera for register laser processing and for automatic file uploading thanks to single or multiple printing markers.
- Industry 4.0 Ready: full digital workflow integration.



*Focal unit set:
interchangeable
optics and focal units*



*CCD kit for register
cutting with printing
marker recognition*





DRAGON

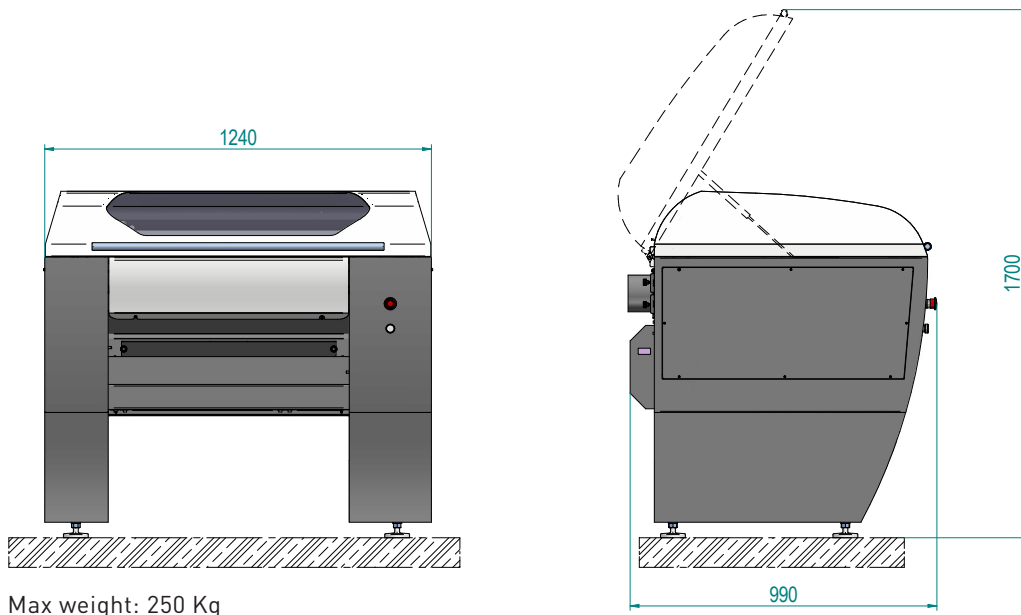
Main technical features:

Version	V30	V80	V150
Laser technology	Sealed CO ₂ laser source excited by RF discharge		
Laser power	30W	80W	150W
Laser wavelength (µm)	10.6		
Pulse frequency (kHz)	0-130		
Cooling	Air cooling	Liquid cooling (closed loop chiller)	
Working area (mm)	700x500		
Max. thickness of the material to be processed (mm)	25		
Max. acceleration (m/s ²)	> 28		
Max. vector speed (mm/s)	2000		
Software interface	CAM Icaro on Windows™ platform		
Vector images import	.dxf; .plt; .ai; .eps; .pdf;		
Raster graphics import	.bmp; .jpg; .tiff; .wmf; .pcd; .pnt; .pcx; etc..		
Norm compliance	2014/35/EU Low Voltage Directive		
	2006/42/CE Machinery Directive		
	2014/30/EU Electromagnetic Compatibility Directive		
	IEC EN 60825-1 Laser safety		



Options available increasing flexibility:

- CCD camera for register laser processing thanks to printing markers;
- Focal units and lens holders available: 1,5"; 2"; 3";
- Proportional valve for the regulation of the gas pressure during cutting.



Clamp for table position



Waste collection box

