

MATRIX TEXTILE

THE HI-END SOLUTION TO PROCESS TEXTILE ROLL TO ROLL MATERIAL EXPLOITING LASER TECHNOLOGY



SEI iScan built-in laser engraving technology



- **Matrix Textile** is the outcome of **SEI Laser**'s technical expertise in processing roll to roll material for textile applications exploiting laser technology.
- **Matrix Textile** exploits proprietary laser technology to carry out hi-speed textile marking, engraving and cutting process on roll to roll material with top quality at the highest productivity. Processing speed is up to 3 times higher than the output obtained by exploiting traditional laser technology.
- The core of **Matrix Textile** is the **ICARO Textile** software for on the fly and static process optimisation; thanks to ICARO Textile it is easy to process any vectorial or raster image or decoration.
- Processable material: natural and synthetic textile rolls, TPU, technical textile rolls.
- **Matrix Textile** complies with IEC EN 60825/1.
- Superior quality **MADE IN ITALY**.

THE LASER WAY





Conveyor table



Fumes suction/extractor



Textile marking



Textile engraving



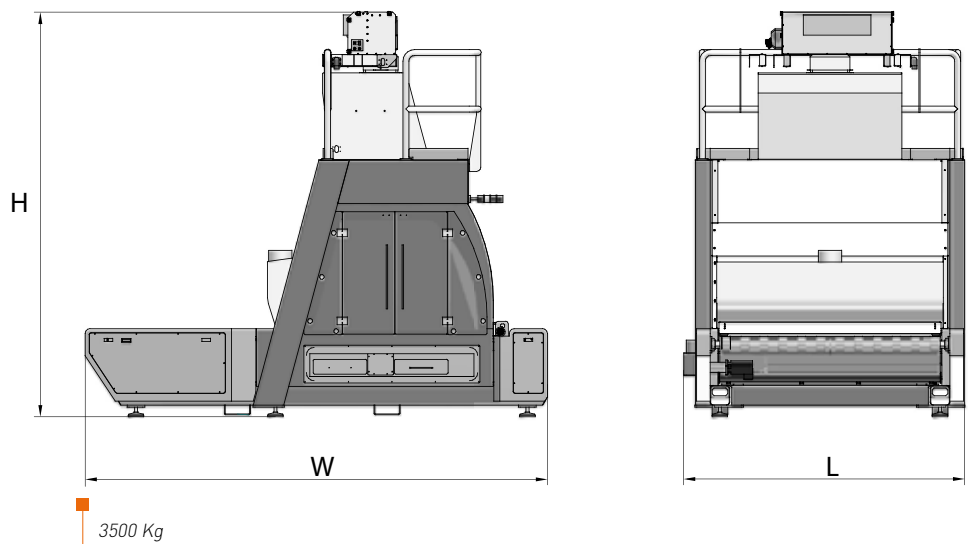
Textile cutting

Technical features		
Models available	Matrix TEXTILE 16	MATRIX TEXTILE 20
Max. processable roll width (mm)	1700	2200
Max. marking length (mm)	1600	2000
Laser nominal power (W)	250 - 450	250 - 450
Laser peak power (W)	700 - 1200	700 - 1200
Working speed (m/min)	Up to 18	
Marking line thickness (mm)	0.8 - 2	
File format input	BMP, JPG, TIFF, DXF, PDF, EPS	
Overall size WxLxH (mm)	4725x2370x3750	4725x2870x4150
Power supply (kW)	11 - 19	
Control unit	PC Windows™ with SW Icaro Textile pre-installed	
Norm compliance	2006/95/CE Low Voltage Directive 2006/42/CE Machinery Directive 2004/108/CE Electromagnetic Compatibility Directive IEC EN 60825-1 Laser	
Laser safety class	Class 1	



Main features

- Electro-welded steel frame with external safety windows of the marking area and side safety laser shutters controlled by safety interlocks.
- Suction inlet suitable for the application.
- Conveyor consisting of metal grid.
- Continuous non stop cycle working (mark on the fly with roll in motion).
- Winder/unwinder system (optional) .



The product is CE marked.
Features and system requirements may change without notice.